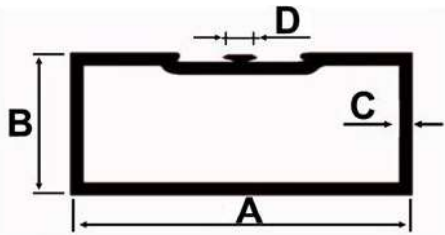
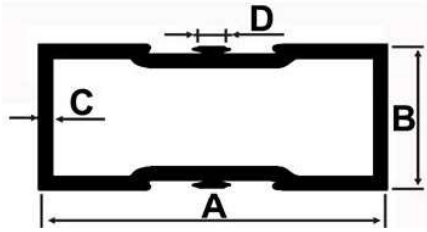


SINGLE PARTITION

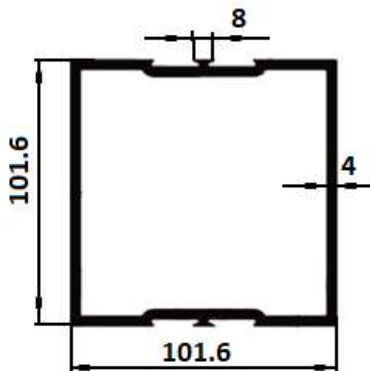


SL NO.	SECTION NO.	A	B	C	D	WEIGHT(KG/M)
1	1000	50.80	25.40	1.05	7.50	0.465
2	1001	63.50	38.10	1.05	7.50	0.605
3	1002	63.50	38.10	1.17	7.00	0.681
4	1003	63.50	38.10	1.28	8.00	0.758
5	1004	63.50	38.10	1.50	8.00	0.900
6	1005	63.50	38.10	2.00	8.00	1.100
7	1006	63.50	38.10	3.00	8.00	1.650
8	1015	83.00	38.00	1.60	8.00	1.070
9	1017	83.00	38.00	3.00	8.00	1.950
10	1025	101.60	25.00	1.00	8.00	0.690
11	1021	101.60	44.45	1.27	8.00	1.049
12	1022	101.60	44.45	1.60	8.00	1.301
13	1023	101.60	44.45	2.01	8.00	1.605
14	1024	101.60	44.45	3.18	8.00	2.541
15	1010	123.00	44.45	2.70	8.00	2.429
16	1012	125.00	44.45	2.00	8.00	1.848
17	1027	125.00	44.45	2.73	8.00	2.485
18	1053	127.00	44.45	3.20	7.00	2.922
19	1029	152.00	44.45	3.00	8.00	3.150

DOUBLE PARTITION



SL	SECTION NO.	A	B	C	D	WEIGHT(KG/M)
1	1030	50.80	25.40	1.05	7.50	0.480
2	1031	63.50	38.10	0.95	7.50	0.600
3	1032	63.50	38.10	1.08	7.50	0.686
4	1033	63.50	38.10	1.21	7.50	0.761
5	1034	63.50	38.10	1.50	8.00	0.920
6	1035	63.50	38.10	1.90	8.00	1.100
7	1036	63.50	38.10	3.00	8.00	1.700
8	1040	83.00	38.00	1.60	8.00	1.070
9	1039	83.00	38.00	3.00	8.00	1.970
10	1045	101.60	25.00	1.00	8.00	0.705
11	1041	101.60	44.45	1.20	8.00	1.060
12	1042	101.60	44.45	1.50	8.00	1.301
13	1043	101.60	44.45	2.00	8.00	1.610
14	1044	101.60	44.45	3.00	8.00	2.415
15	1048	123.00	44.45	2.00	8.00	1.889
16	1051	125.00	44.45	2.00	8.00	1.911
17	1055	125.00	44.45	3.15	7.00	2.912
18	1047	127.00	44.45	3.18	7.00	2.969
19	1049	152.00	44.45	3.00	8.00	3.180



SL.NO.	SECTION NO.	WEIGHT(KG/M)
1	1070	4.368